

Inline
Fillers
ICF-4V



Introducing innovative new technology from GEA Colby — the ICF 4V filler sets new standards for simplicity, reliability and reduced total cost of ownership.

Benefits

The Colby ICF-4V provides accurate and economical can filling in a compact footprint.

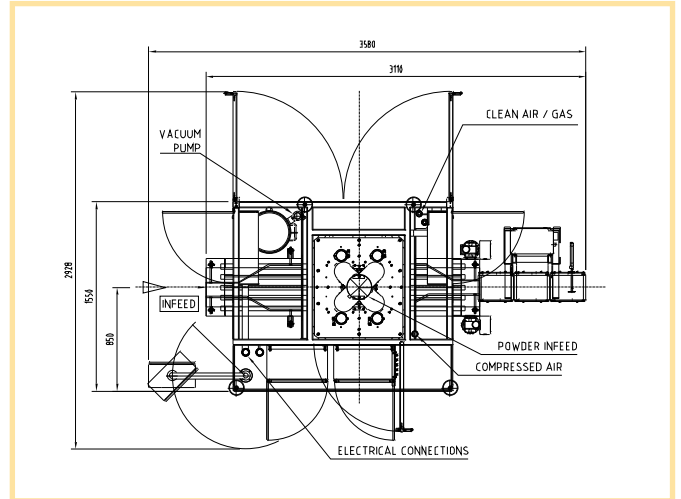
Colby Powder System's vacuum filling technology, coupled with the Garvens XC checkweigher allows the ICF-4V to fill cans with high accuracy and repeatability. With no moving parts in the powder stream, the ICF-4V is gentle on the product and simplifies cleaning.

The ICF-4V features hygienic design & construction and has been designed for ease of cleaning for rapid product changeovers and reduced maintenance time.

Proven Filling Techniques

Colby's new vacuum filling technology provides:

- High speed
- Improved accuracy
- Low product damage
- Good compaction
- Excellent flexibility
- Ease of cleaning



Description	Four head vacuum filler		
Powder Types	Food powders such as infant formula, dairy and nutritional powders		
Container Height Range	80 mm - 240 mm		
Standard Tooling to Suit	99mm	127mm	154mm
Throughput	80@450gms	55@900gms	30@1800gms
Accuracy	1% Relative Standard Deviation		
Dimensions:			
Machine Frame (WxLxH, in mm)	2400 x 1600 x 2000		
Net Weight (kg)	2000 (including checkweigher & vacuum pump)		
Options	<ul style="list-style-type: none"> > Spare parts and service packages > Insert gassing (Nitrogen or mixed gas) > 'e' mark filling > Checkweigher statistics reporting > Training in operation and maintenance 		



Process Engineering

GEA Colby Pty Ltd
328 High Street · Chatswood · Sydney · NSW 2067 · AUSTRALIA
Tel: +61 2 9932 2800 · Fax: +61 2 9932 2801
www.colbypowder.com

GEA Process Engineering Nederland BV
Munsterstraat 5 · 7418 EV · Deventer · Netherlands · EUROPE
Tel: +31 570 66 33 66 · Fax: +31 570 66 33 77
www.gea-pen.nl

GEA Process Engineering Inc.
1600 O'Keefe Road · Hudson · Wisconsin 54016 · USA
Tel: +1 715 386 9371 · Fax: +1 715 386 9376
www.niroinc.com